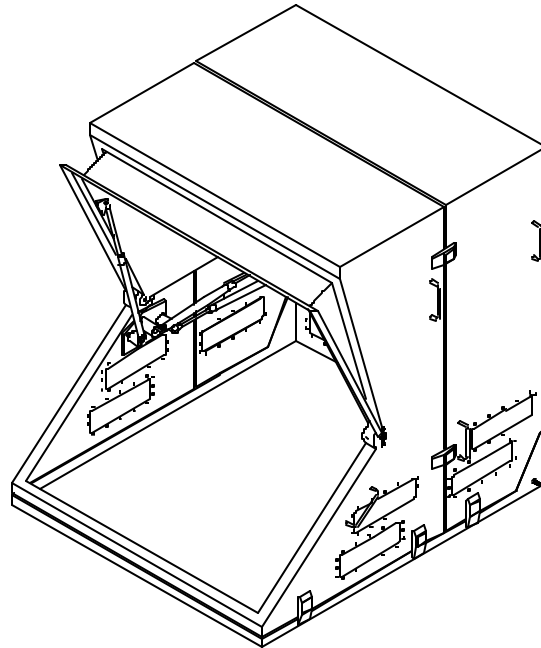


**Model 8800-LTE
Light Tight Enclosure**

Specifications

The Model 8800-LTE represents the latest Light Tight Enclosure design offering features not found in any other enclosure. The 8800-LTE design enables easy setup and usability with even the largest probe station.



0108

Features and Benefits

- The 8800-LTE features an isokinetically designed door mechanism to allow easy open and closing of the roll top door with minimal lifting force.
- The 8800-LTE is comprised of three separate pieces which are fastened together with quick release clamps. This approach allows partial disassembly to gain free access to the inside of the enclosure and the probe station. All three members are electrically connected together to provide an effective EMI shield.

- The 8800-LTE contains multiple feedthru panels and ports which enable cables and hoses to enter the LTE without compromising the integrity of the electrical and optical shield.

The 8800-LTE has 11 separate 2.5" X 9" feedthru ports. One panel is fitted with a universal entry sleeve which allows hoses and cables to enter the LTE. The remaining ten ports are equipped with blank panels which may be replaced with any of our special purpose panels or with a custom made panel. See **Ordering Information** below for a list of available panels.



1555 Forrest Way
Carson City, NV 89706
E-Mail: Sales@Micromanipulator.com
<http://www.micromanipulator.com>

tel: 775-882-2400
800-654-5659
fax: 775-882-7694

Specifications:

Dimensions (width, depth, height) in (cm):

Inside: 35W x 41D x 40H x 35W (89w x 104D x 101H) at center

Outside: 37W x 42D x 43H (94w x 106D x 109H)

Front opening with door open: 31.5W x 32H (80W x 81H)

Ordering information:

8800-LTE	Light Tight Enclosure.
7000-LTE-8860	Feedthru connectors for 8860 control cables.
7000-LTE-BNC	Contains 8 BNC to BNC bulkhead feedthru connectors.
7000-LTE-TRI	Contains 8 Triaxial to Triaxial bulkhead feedthru connectors.
7000LTE-TRI/BNC	Equipped with 4 BNC to BNC and 4 Triaxial to Triaxial bulkhead feedthru connectors.
7000-LTE-4156	Supports cable connectors for HP4156 Parametric Tester.
7000-LTE-PWR	Provides feedthru connections for AC power.
7000-LTE-SOCK	Universal entry sleeve for hoses and cables (One is supplied as standard with the 8800-LTE).
SUB-TABLE-1201	Provides an inner table which supports the probe station on a Kinetics Model 1201 vibration isolation table surface while isolating the station from physical contact with the LTE.
SUB-TABLE-9100	Provides an inner table which supports the probe station on a Kinetics Model 9101 and 9102 vibration isolation table surface while isolating the station from physical contact with the LTE.
SPP9704042	Removable rear panel (24" wide by 12" tall) provides easy access to back side of LTE.

A full line of Manual, Semi-Automatic, and Fully Automatic analytical probe stations are available from The Micromanipulator Company. Specialty stations for large area display, electromigration, and in-circuit probing are available. A full line of accessories include microscopes, lasers, thermal chuck systems, manipulators, probe holders and probe tips to complete the modular design of Micromanipulator's probing systems engineered to meet your specific testing needs.

