

FA-2000 PRODUCT CONFIGURATION

Introduction

The FA-2000 family of emission microscopes incorporate the latest technology in real time, NIR enhanced CCD detectors designed to produce a portable system that can be interfaced with a wide range of analytical probe stations, ATE (Automated Test Equipment) and benchtop configurations for high speed, functional testing. The compact, lightweight, modular design allows for unlimited configurations for both packaged and wafer level testing for front and backside emission microscopy applications on the test floor or FA lab.

To make up an emission microscope system order the following:

1. One FA-2000 Basic Emission Camera System
2. One or more Scope-base configuration (the FA-2000 camera can be moved between scope- base configurations if desired).
3. Optional accessories as desired. Note that items 1 and 2 above provide a complete Emission Microscopy setup, additional options are not required to have a functional system.



Mini 19" rack for FA-2000-R



Basic Emission Camera Assembly

Choose from one of the following:

FA-2000-R

FA-2000 with rack mount computer.

This system includes:

- The FA-2000 Camera
- FA-2000 Software
- Illuminator with power supply and RS-232 connection
- A set of 4 dark boots
- One VibeCoupler
- Rackmount computer with 15" LCD monitor
- Roll-around mini 19" rack

Options:

An option to the standard model is the Tall rack Upgrade, 24" x 24" x 44" part number: RACKT-01000-UG

FA-2000-MT

FA-2000 with mini-tower computer.

This system includes:

- The FA-2000 Camera
- FA-2000 Software
- Illuminator with power supply and RS-232 connection

FA-2000-MT/ FA-SCOPE-BT shown with Anthrocart, 9" Z-slide and digital printer options

- A set of 4 dark boots
- One VibeCoupler
- Mini tower computer with 15" LCD monitor

Options:

An option to this is the Anthrocart part number: FA-ANTHROCART

FA-2000-P

FA-2000 with portable computer. *This system includes:*

- The FA-2000 Camera
- FA-2000 Software
- Illuminator with power supply and RS-232 connection
- A set of 4 dark boots
- One VibeCoupler
- Portable computer with ruggedized case, keyboard and mouse



Portable Computer for FA-2000-P

MM Micromanipulator

1555 Forrest Way
Carson City, NV 89706
info@micromanipulator.com
www.micromanipulator.com

Tel: 775-882-2400
Tel: 800-654-5659
Fax: 775-882-7694
Made in the USA

A1014642 rev 1 © 4/03

Specifications subject to change without notice.

Scope-Base Configurations

The FA-2000 camera can be moved between scope-base configurations if desired. Choose from one, or more, of the following:

FA-SCOPE-BT

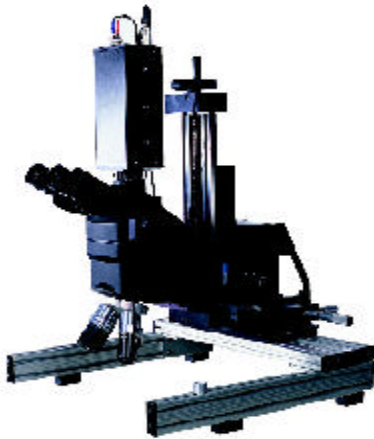
Benchtop base assembly with compound microscope

This configuration includes:

- Compound microscope modified for Emission Microscopy work
- 10X eyepieces
- 2X objective (not NIR)
- NIR objectives; 5X, 10X and 100X
- Universal rail base
- X-Y microscope stage mounted to universal rails
- 2" manual focus block
- Dark Shrouds; miniature, large, and additional unfinished material
- Mini dark box for sample



FA-SCOPE-BT



FA-SCOPE-BT with optional 9" Z slide

FA-SCOPE-TH

Test head base assembly with monocular zoom microscope

This configuration includes:

- Monocular Zoom 70 microscope modified for Emission Microscopy work
- NIR objectives; 5X, 10X and 20X
- Universal rail base for mounting to test head
- X-Y microscope stage mounted to universal rails
- 2" manual focus block
- Dark Shrouds; miniature, large, and additional unfinished material
- 9" Z slide for zoom scope (allows raising of scope out of test head)



Dark Shroud

FA-SCOPE-PR

Prober Ready base assembly with compound microscope

This configuration includes:

- Compound microscope modified for Emission Microscopy work
- 10X eyepieces
- 2X objective (not NIR)
- NIR objectives; 5X, 10X and 100X
- 2" manual focus block
- Dark Shrouds; miniature, large, and additional unfinished material

Order the **FA-SCOPE-PR** configuration to match up with ANY Micromanipulator probe station including the 400-LAS-VO systems with their benchtop vacuum pedestal chucks (with 1" x 1" micrometer drives optional) and sample holders.

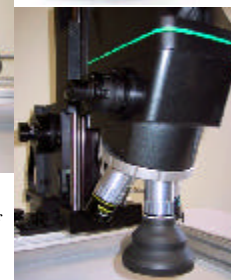


*Configuration for Test Head Application
FA-SCOPE-TH*

Optional Accessories

Microscope options for use with liquid crystal, various objectives and backside probing options are all available from Micromanipulator.

Patented VibeCoupler



Two views of Dark Boots